

METTLER TOLEDO

Weight/price scales bPro

NETWORK

User manual



METTLER TOLEDO

P/N: 72186163

(07/11).02

METTLER TOLEDO®
is registered trademarks of Mettler-Toledo, Inc.
©2000 Mettler-Toledo, Inc.



METTLER TOLEDO

INTRODUCTION

Your new bPro unit is among the finest precision digital computing scales available. It is simple to use and requires minimum maintenance. These scales come from a proud tradition that has made METTLER TOLEDO the worldwide symbol of the highest quality in precision weighing equipment.

Please read these instructions carefully. You will find operating the unit is very simple. In the unlikely event you should experience difficulties, contact your authorized METTLER TOLEDO SERVICE OFFICE listed in the yellow pages of your telephone directory.

Properly used and maintained, your new scale will provide years of accurate weighing which will protect your profits and your customers. Please handle your scale as you would any fine electronic equipment.

FCC Notice

This device complies with Part 15 of the FCC Rules and the Radio Interference Requirements of the Canadian Department of Communications. Operation is subject to the following conditions: (1) this device may not cause harmful interference, and (2) this device must accept any interference received, including interference that may cause undesired operation.

This equipment has been tested and found to comply with the limits for a Class A digital device, pursuant to Part 15 of FCC Rules. These limits are designed to provide reasonable protection against harmful interference when the equipment is operated in a commercial environment. This equipment generates, uses, and can radiate radio frequency energy and, if not installed and used in accordance with the instruction manual, may cause harmful interference to radio communications. Operation of this equipment in a residential area is likely to cause harmful interference in which case the user will be required to correct the interference at his own expense.

©Mettler-Toledo, Inc. 2000

No part of this manual may be reproduced or transmitted in any form or by any means, electronic or mechanical, including photocopying and recording, for any purpose without the express written permission of Mettler-Toledo, Inc.

U.S. Government Restricted Rights: This documentation is furnished with Restricted Rights.

**METTLER TOLEDO RESERVES THE RIGHT TO MAKE REFINEMENTS OR
CHANGES WITHOUT NOTICE.**



Disposal

In accordance with the requirements of European Directive 2002/96 EC on Waste Electrical and Electronic Equipment (WEEE), this device may not be disposed of with domestic refuse. This also applies for countries outside the EU in accordance with their respective national regulations.

Please dispose of this product in accordance with local regulations for the separate collection of waste electrical and electronic equipment.

About the batteries which are on PCB, please transfer them to our professional service person.

Should you have any questions, please contact the corresponding authorities or the dealer from whom this device was purchased.

If this device is passed on (for example for further private or commercial/ industrial use), this regulation is also to be passed on.

Many thanks for your contribution to the protection of the environment.

Battery disposal

Batteries contain heavy metals and therefore cannot be disposed of in the normal refuse.

Observe local regulations on the disposal of materials that are hazardous to the environment.

Appendix C: Fonts Table

Font No.	Font Type	Height in mm	Characters per line
1	AaBbCcDdEeFfGgHhIiJjKkLlMmNnOoPp	1.9	36
2	AaBbCcDdEeFfGgHhIiJjKkLlMmNnOoPp	2.4	36
3	AaBbCcDdEeFfGgHhIiJjKkLlMmNnOoPp>	2.9	36
4	AaBbCcDdEeFfGgHhIiJjKkLlMmNnOoPp	3.7	36
5	AaBbCcDdEeFfGgHhIiJjKkLlMmNnOoPp	4.8	36
6	AaBbCcDdEeFfGgHhIiJjKkLl	3.2	27
7	AaBbCcDdEeFfGgHhIiJjKkLl	6.4	27
8	AaBbCcDdEeFfGgHh	2.4	18
9	AaBbCcDdEeFfGgHh	2.9	18
10	AaBbCcDdEeFfGgHh	3.7	18
11	AaBbCcDdEeFfGgHh	4.8	18
12	AaBbCcDdEeFfGgHh	4.8	18
13	AaBbCcDdEeFfGgHh	9.6	18
14	AaBbCcDdEeFf	3.2	13
15	AaBbCcDdEeFf	6.4	13
16	AaBbCcDdEe	2.9	11
17	AaBbCcDdEe	3.7	11
18	AaBbCcDdEe	4.8	11
19	AaBbCcDd	4.8	9
20	AaBbCcDd	9.6	9

PRECAUTIONS

READ this manual BEFORE operating or servicing this equipment.


FOLLOW these instructions carefully.

SAVE this manual for future reference.

DO NOT allow untrained personnel to operate, clean, inspect, maintain, service, or tamper with this equipment.

ALWAYS DISCONNECT this equipment from the power source before cleaning or performing maintenance.


CALL METTLER TOLEDO for parts, information, and service.



WARNING
ONLY PERMIT QUALIFIED PERSONNEL TO SERVICE THIS EQUIPMENT. EXERCISE CARE WHEN MAKING CHECKS, TESTS AND ADJUSTMENTS THAT MUST BE MADE WITH POWER ON. FAILING TO OBSERVE THESE PRECAUTIONS CAN RESULT IN BODILY HARM.



WARNING
FOR CONTINUED PROTECTION AGAINST SHOCK HAZARD CONNECT TO PROPERLY GROUNDED OUTLET ONLY. DO NOT REMOVE THE GROUND PRONG.



WARNING
DISCONNECT ALL POWER TO THIS UNIT BEFORE INSTALLING, SERVICING, CLEANING, OR REMOVING THE FUSE. FAILURE TO DO SO COULD RESULT IN BODILY HARM AND/OR PROPERTY DAMAGE.



CAUTION
BEFORE CONNECTING/DISCONNECTING ANY INTERNAL ELECTRONIC COMPONENTS OR INTERCONNECTING WIRING BETWEEN ELECTRONIC EQUIPMENT ALWAYS REMOVE POWER AND WAIT AT LEAST THIRTY (30) SECONDS BEFORE ANY CONNECTIONS OR DISCONNECTIONS ARE MADE. FAILURE TO OBSERVE THESE PRECAUTIONS COULD RESULT IN DAMAGE TO OR DESTRUCTION OF THE EQUIPMENT OR BODILY HARM.



CAUTION
OBSERVE PRECAUTIONS FOR HANDLING ELECTROSTATIC SENSITIVE DEVICES.

Contents

Generalities	5
Keyboard	5
Programming membrane	6
Preparatory actions	7
Presentation of the "DATA ENTRY" menu	7
PLU definition	9
Price change	10
Define presets	11
Tare entry	12
Create Barcode	13
Vendor key configuration	14
Discount key configuration	15
Instruction for special offers	17
Choose the print paper (ticket or label)	18
Sales mode	19
Mode switching	19
Register(with printing on customer ticket)	20
Void	21
Register(with printing on label)	21
Tare	22
Prepacking	23
Select the prepacking mode	23
Procedure	23
Large sales mode	24
Maintenance	25
Replacing the thermal paper roll	25
Cleaning the print head	25
Appendix A: Network configuration	26
Appendix B: Error message	27
Appendix C: Fonts table	30

Error Message	Reason	Status	Action
ERROR 300 PRINTER	Printer driver defect	2	Replace Main Logic PCB
ERROR 301 PRINTER	Printer driver defect	2	1 Reflash the software 2 Replace Main Logic PCB
ERROR 307 PRINTER	Printhead defect	2	1 Replace printhead 2 Replace printhead harness 3 Replace Main Logic PCB
ERROR 308 PRINTER	Printer driver defect	1	Replace Main Logic PCB
ERROR 310 PRINTER	Printer driver defect	2	Replace Main Logic PCB
ERROR 101 AP	Real Time Clock defect	1	Replace Main Logic PCB
ERROR 400 CELL	Load Cell defect	-	1 Replace Main Logic PCB 2 Replace Load Cell
ERROR 401 CELL	Load Cell defect	-	1 Recalibrate 2 Replace Main Logic PCB 3 Replace Load Cell
ERROR 200 DATABASE	Data bank error	3	Reset RAM
ERROR 201 XX DATABASE	XX Data error	2	1 Reset RAM 2 Delete Data XX
ERROR 202 XX DATABASE	XX Data error	2	1 Reset RAM 2 Delete Data XX
ERROR 203 YY DATABASE	YY Data error	2	1 Reset RAM 2 Configure YY
ERROR 205 DATABASE	Data bank error	3	Reset RAM

Meaning of XX

- | | |
|--------------------|-------------------|
| 01 Operator | 07 Group data |
| 02 Ticket data | 13 Label data |
| 03 Time total data | 15 Date text data |
| 04 Text data | 21 PLU label data |
| 05 Barcode data | 23 Store adress |
| 06 Tare data | 24 PLU data |

Meaning of YY

- | | |
|-----------------------|-----------------------|
| 01 Operator Configure | 04 Password Configure |
| 03 Keyboard Configure | |

LABEL MOVED---The stepper motor or the rewind motor is not working properly.

CHANGE PAPERROLL---The label roll is not installed or the label roll is empty.

TAKE LABEL OFF---Take off the current label before printing the next one.

NO FREE OX KEY---All the configured operator keys have been occupied.

PRINT TICKET---Print out the customer ticket before logging out.

OPEN CUST. TICK---You are trying to delete an operator who has total data.

OX NOT LOGGED-IN---The operator has not be assigned to an operator.

PAYMENT TOO LOW---The payment is less than the total amount.

TARE TOO BIG---The entered tare is too big.

PLU TARE ACTIVE---You are forbidden to override the PLU tare.

PUT PLATTER ON ---The weight is too small and out of power up zero range.

ZERO NOT CAPTURE ---The weight is too big and out of power up zero range.

WEIGHT TOO SMALL---The weight is too small to be printed.

ERROR TAKE-SENS---The take label sensor is not working properly.

ERROR POS_SENS---The gap sensor is not working properly.

ERROR INTERFACE---The serial port is not working properly.

• Error Message

Listed below are the possible error codes are listed. When an error code appears, the scale should be switched off and on. In many cases the error will disappear.

There are 3 different kinds of error messages:

Error Status 1:

Warning! After the warning the scale can still be used.

Error Status 2:

Press "CODE" key. Change to one of the CODE menu. Back to normal operation mode.

Error Status 3:

Press "CODE" key and enter SERVICE MODE, after returning to normal operation mode the scale will perform RESET.

Generalities

Keyboard

Meaning of the function keys

#	Free entry of a price per piece	↓	Continue
V1	(PRINT,V2,V3,V4) Vendor, clerk	↑	Go back
00	Numeric keypad	T	Tare
C	Clear;	→0←	Zero
*	Customer total, Confirm	CODE	Code and switching
+	Manual entry of a price per piece to add	MODE	Mode and switching
-	Manual entry of a price per piece to subtract	↶	Paper feed
X	Multiplication		
F	Fixed unit price / fixed tare		
R	Change back		
ST	Void		

Some type has the [TM] key, used to Tare manually.

Special functions keys

1 to 70	preset keys
V2,V3,V4	vender keys V2-V4
[-%]	increase/decrease key (Discount key)

Note: The left 70 keys (T2 model) are preset keys which can store 140 PLUs. Different type has different quantity preset keys.









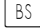
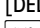
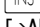



Remark :

*V2, V3 and V4 key can be configured as preset keys or vender keys, but one function is available at one time.

*[-%] key can be configured as preset key or increase/decrease key, but only one function is available at one time.

Programming membrane

Meaning of the 'programming" keyboard keys

	Go to beginning of text
	Go to end of text
	move the cursor one position left in the text edit mode
	move the cursor one position right in the text edit mode
	Go to next sub-menu
	Return to previous sub-menu
	Get upper case characters in text edit mode or select a key's 2nd function
	Alternate: special characters in text edit mode
	Backspace (delete the character left of the cursor)
	Delete (delete the character on the cursor)
	Insert (insert a character on the cursor)
	Center the text in text edit mode
	Carriage return (next line)
	Selection of a menu

Appendix B: Error Message

• Warning Message

INPUT TOO BIG---The input is too big.

INPUT TOO SMALL---The input is too small.

TOO MUCH INPUT---The input is out of limit.

WRONG CODENR.---The code number is invalid.

KEY NO FUNCTION---The key has no function.

KEY BLOCKED---The key is disabled. Check the KEYBOARD CONFIGURE.

PLU NOT FOUND---The entered PLU number does not exist.

AG NOT FOUND---The entered Group number does not exist.

OPER.NOT FOUND---The entered Operator number does not exist.

LABEL NOT FOUND---The entered Label Format does not exist.

PLUNR IS OCCUP---You are trying to duplicate a PLU into an exist PLU number.

LABELNR. OCCUP---You are trying to duplicate a label format into an exist label format number.

DISCOUNT IMPOSS---This PLU does not allow to be discounted. Check the PLU Discount configuration, or this PLU is in special offer.

NO FURTHER REG.---No further transaction has been recorded.

NO STABLE WEIGHT---The weight is not stable.

AG NOT DELETABLE---This Group contains total data and can not be deleted.

OP NOT DELETABLE---This Operator contains total data and can not be deleted.

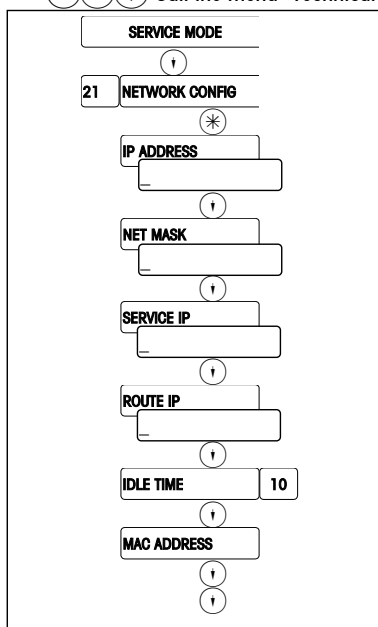
MEMORY FULL---Memory is full.

WEIGH AGAIN---You are trying to record one item twice. Remove the item from the platter and put a new item on the platter.

WRONG LABEL---The installed label roll does not match the configured label format.

Appendix A: Network Configuration

Call the menu "Technical service "



Enter the preset code 21.

Enter network configure

Input IP address

Input NET MASK address

Input SERVER IP address (If necessary)

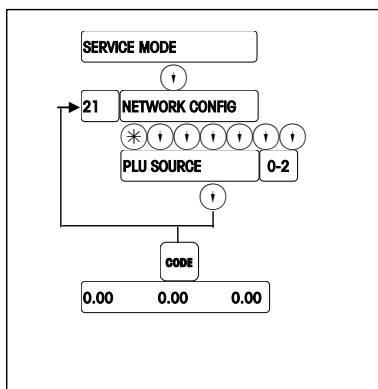
Input ROUTE IP address (If necessary)

Input IDLE TIME (10 is ok)

Scale will restart automatically.

After completing setup, if necessary you can choose the PLU SOURCE. The operation as below:

Call the menu "Technical service "



Enter the preset code 21.

0=Get PLU from local scale

1=Get PLU from NETWORK

2=First from network, then from local scale

Press to exit .

Preparatory actions

Presentation of the "DATA ENTRY" menu

Call the "DATA ENTRY" menu

DATA ENTRY

- 01 price change
- 02 create plu
- 03 copy plu
- 06 edit extra text
- 07 list plu
- 08 delete plu
- 09 Define presets
- 10 list presets
- 11 standard preset
- 12 delete preset
- 14 create group
- 15 list group
- 16 delete group
- 26 create sp. offer
- 27 sp. offer backw.
- 28 delete sp. offer
- 29 list sp. offer

30	tare
32	create barcode
35	ticket header
36	ticket bottom
38	running message
39	create operator
40	list operator
41	delete operator
42	shop name
43	advertisement
44	date text
45	date / time
46	discount
47	pack date offset
48	logo message
49	store logo number
50	menu end

Select desired menu with   or enter preset code and activate with  key.

Maintenance

Replacing the thermal paper roll

- Open the door of printer housing on the right side of the scale, pull out printer.
- Remove the empty reel.
- Press down the green lever.
The print head flips out of his housing.
- Insert the new thermal paper roll in accordance with the drawing.
- Pull out the paper until correct tension is reached.
- Push back the print head until it clicks.
- Tear off the paper that sticks out.
- Close the weighing plate.

Cleaning the print head

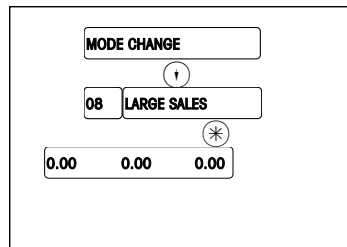
- Switch off the scale.
- open the door of printer holder on the right side of the scale.
- pull out the printer.
- Press down the green lever.
The print head flips out of his housing.
- Take off the cap from the cleaning pen.
- Clean the print head with the moist tip of the pen.
- Push back the print head until it clicks.
- Put on the cap of the cleaning pen.
- Pull back the printer, close the door.
- Switch on the scale.



Use only the cleaning pen, for cleaning the print head.
Other cleaning materials will destroy the print head.

Large sales mode

☞ **MODE** Call the menu "Mode switching"



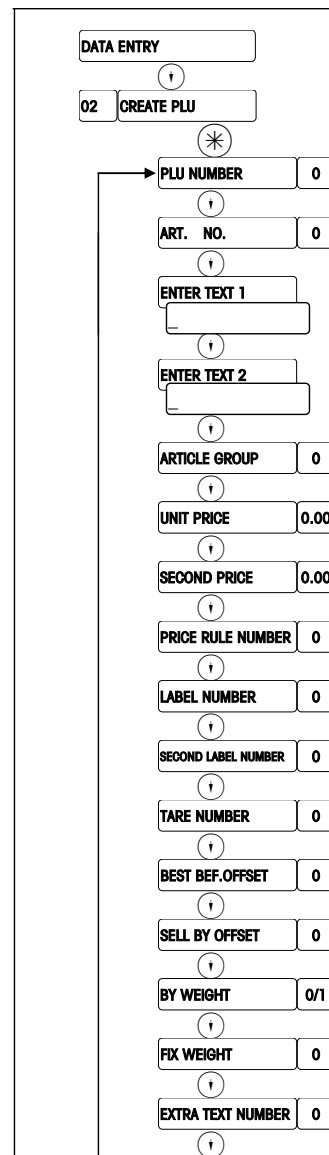
Enter preset code 08.

enter large sales mode

After entering large sales mode, operator shall first input the called PLU ,if the parameter of "price shall be entered via key (#) has been configured ". Then press the key (#) , enter large sales weight and register this transaction. If the price is required to input temporarily, operator shall first press the key (#), then enter the temporal price , again press the key (#) , input large sales weight and register this transaction at last.

PLU definition

☞ **CODE 1** * Call the "DATA ENTRY" menu



Press the **↑** key twice or enter the preset code 02.

Enter the PLU number.(1~999999)

Enter the article number (up to 13 figures).

Enter the commodity text 1(up to 28 characters)

Enter the commodity text 2(up to 150 characters)
(Should first set the quantity of characters in CODE 5)

Enter the article group number. (1~99)

Enter the unit price. (0~9999.99)

Enter the second unit price if necessary. (0~9999.99)

Select the price using first price or second price.

Input the label number (0-108, 101~108 are fixed label formats)

Input second label number

Input preset tare number.(1-16)

Input the best before offset.(0-999 days)

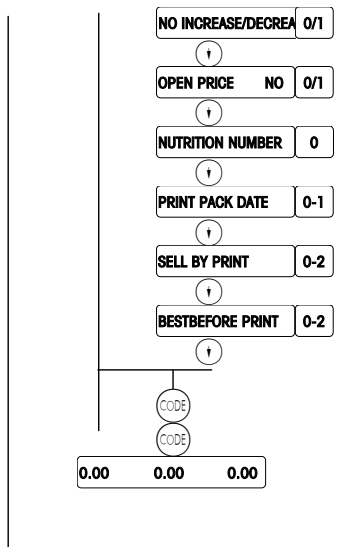
Input the sell by offset.(0-999 days)

Is it an article per piece or a weighed article ?

0 = weighed article, 1 = article per piece

Input the FIX WEIGHT for article per piece

Input the Extra Text number.



0=no increase/decrease 1=enable increase/decrease

0=price can't be changed
1=price can be changed by # key
Input the nutrition number.

if print the pack date, 0- 4
Not print/yymmdd/mmdd/mmddy/ddmmyy

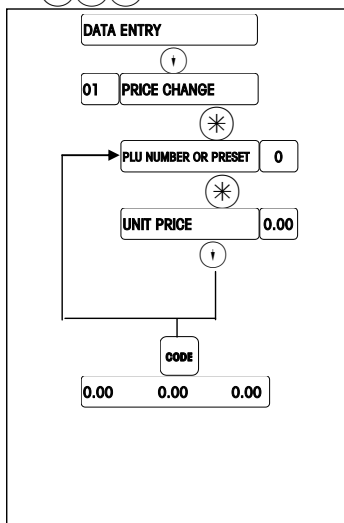
SELL BY DATE format, 0-5
Not print/yymmdd/mmdd/mmddy/ddmmyy/days
BEST BEFORE DATE format, 0-5
Not print/yymmdd/mmdd/mmddy/ddmmyy/days

Press \uparrow to enter or change other PLU.
Press the CODE key twice to return to the weighing mode.

Note: Each option can be selected or hide via "code 6"-16.

Price change

CODE 1 * Call the "DATA ENTRY" menu



Press the \uparrow key twice or enter the preset code 01.

Enter price change
Enter PLU number. (up to 6 digits)

Enter the unit price.

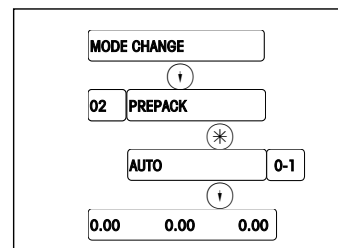
Press \uparrow for other price changes.

Press CODE to return to weighing mode.

Prepacking

Select the prepacking mode

MODE Call the menu "Mode switching"



Enter preset code 02.

Select/return to prepack mode

Select the print triggering mode:
0=print after stabilizing; 1=print by pressing the vendor key.

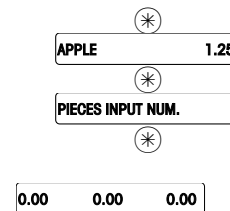
Procedure

- Select the PLU
- Place the article
- Using the vendor key, start label printing (if "manu" is chosen) or start label printing by varying the load (if "auto" is chosen).
- Remove the label
- Weight the next article

Print a batch of prepack labels for the article by Count PLU

This function can be in prepack mode only. it is in effect under auto-print status. And only for the articles by Count PLU.

$\text{ENTER ONE PLU NUMBER}$



Before you call a plu, you must empty the platter of scale.

Active batch print function

Display the price of the PLU, you can enter number follow X key for more than one.

Enter print quantity (max. 999 pcs)

After the previous label is taken away, then print the next label.

NOTE: Press the key MODE twice can quickly switch prepack mode and service mode.

Tare

a) Compensation of a weighed tare (tare an empty recipient)

- Place the empty recipient.
- Press the T key.
- Put the full recipient and register the transaction.
- The tare weight is cleared from the moment the transaction is registered and the scale is cleared.

b) Tare manually

As the weight is Zero in scale press T key, then input the tare value manually and confirm with T key.

c) Plu specific tare weight

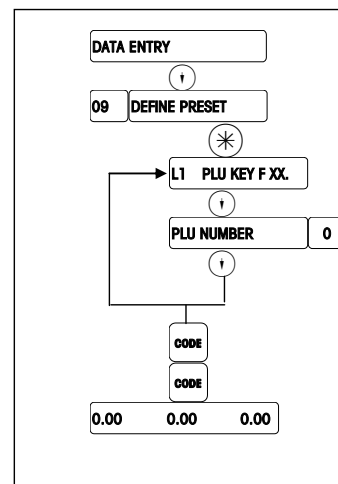
the tare is linked with plu, recall the plu to recall it.

d) Fixed tare compensation

- Put tare weight on the scale.
- Press the T key.
- Press the F key.

Define presets

CODE 1 * Call the menu "DATA ENTRY"



Enter preset code 09.

*Press the desired PLU preset key
(Shift L1 and L2 by the key T)
Enter PLU number. (up to 6 digits)
Press T to enter or modify another PLU preset.

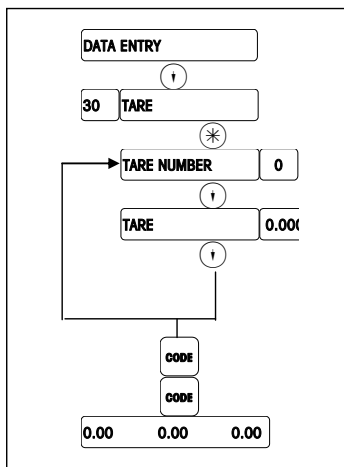
Press CODE 2 times to return to weighing mode.

Remark :

*The Type bPro can store 140 preset keys which are divided into two levels L1 and L2.
L1 can store P1~P70 and L2 can store P71~P140.
Shift L1 and L2 by the key T .
(some type the preset key quantity is different)

Tare entry

1 Call the "DATA ENTRY" menu



Enter the preset code 30

Enter the tare number (1-16).

Enter the tare weight in grams *) or put the empty recipient on the scale, then validate with the tare key .

Press to affect the next tare memory.

Press the key twice to return to the weighing mode.

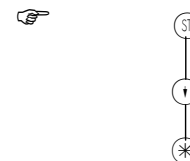
*) Respect the increment (1 g, 2 g or 5 g, depending on the weighing range)

Void

a) The last operation

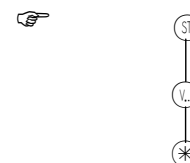


b) one of the previous operations



Remarks : With you have an overview of the different transactions printed on the ticket.

c) total operations



Register (with printing on label)

Weighed PLU/ PLU per piece / overwriting of a defined price per piece

- Put the article on the scale.
- Press a direct PLU preset key or enter the PLU code.
(Overwriting of a defined price per piece :
The defined price per piece can eventually be overwritten by the current article, by pressing).
or press key first to enter a weighed price for an article per piece, first press or to entry the temporary price.
- With your personal key , start printing the label.

Register (with printing on customer ticket)

1. Weighed PLU/ PLU per piece / overwriting of a defined price per piece

- Put the article on the scale.
- Press a direct PLU preset key or enter the PLU code.
(Overwriting of a defined price per piece :
The defined price per piece can eventually be overwritten by the current article, by pressing (#).
or press (#) key first to enter a weighed price for an article per piece, first press (+) or (-) to entry the temporary price.
- Register the transaction with your personal (V.) key.
- Register the next article.
- Conclude the sale and print off the customer ticket by pressing the (*) key, followed by your personal (V.) key.

2. Subtotal

Displaying the subtotals of all the vendors

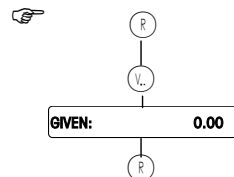


Displaying the subtotal of vendor x



By repeatedly pressing the (↓) key, check the subtotal of every vendor.

3. Calculating the change

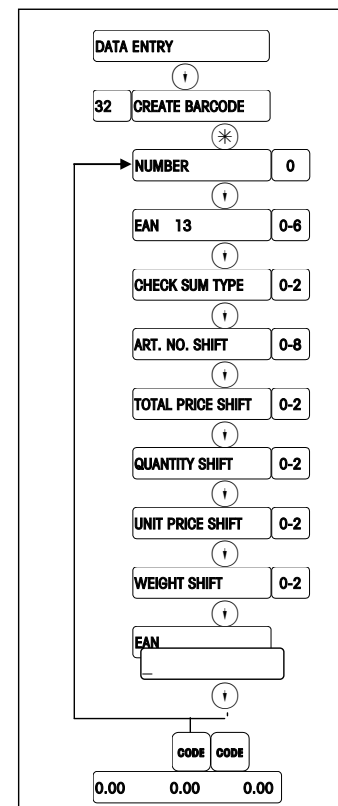


To use the "Calculating the change function", you only have to conclude the sale by the following sequence of keystrokes, the key [R] replaces the key (*).
Enter the amount received by the client.

The cashregister opens automatically.

Create Barcode

Call the "DATA ENTRY" menu



Enter the preset code 32

Enter the EAN number (1-8).

Select barcode type

0=EAN8, 1=EAN 13, 2=ITF 25 Narrow, 3=ITF 25 Wide, 4=EAN 128, 5=EAN 13+5, 6=UPC-A

Select CHECK SUM type, 0=Normal, 1=Reverse, 2=No check sum

Select shift digit for the Article number in barcode

Select shift digit for the total price in barcode

Select shift digit for the quantity in barcode

Select shift digit for the unit price in barcode

Select shift digit for the weight in barcode

Enter the EAN CODE such as

22AAAAAABBBBB etc.

Press (↓) to affect the next EAN code memory.

Press the (CODE) key twice to return to the weighing mode.

Examples:

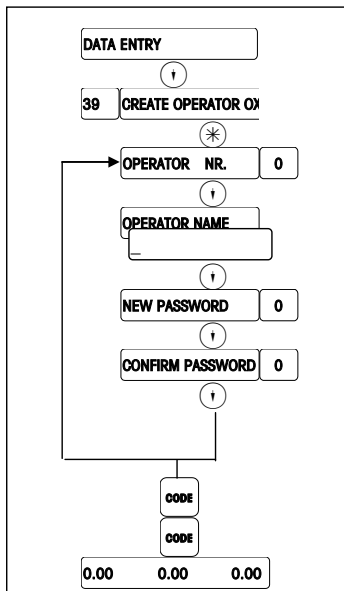
- 0AAAAAAAA (UPC, Ten digit Item Number)
- 2AAAAACBBBB (UPC, 5-D Item/Price Check Digit/4-D Price)
- 2AAAAA0BBBB (UPC, 5-D Item/Zero Fixed/4-D Price)
- 2AAAAABBBBB (UPC, 5-D Item/No Price Check/5-D Price)
- 2AAAAACQQQQ (UPC, 5-D Item/Wgt Check Digit/4-D Wgt)
- 2AAAAAQQQQ (UPC, 6-D Item/No Price Check/4-D Wgt)
- 2AAAAQQQQQ (UPC, 5-D Item/No Price Check/5-D Wgt)
- 21AAAAABBBBB (EAN, 5-D Item/5-D Price)
- 21AAAABBBBB (EAN, 4-D Item/6-D Price)
- 21AAAAACBBBB (EAN, 5-D Item/Price Check Digit/4-D Price)
- 21AAAACBBBB (EAN, 4-D Item/Price Check Digit/5-D Price)
- 21AAAAQQQQQ (EAN, 5-D Item/5-D Wgt)
- 21AAAACQQQQ (EAN, 4-D Item/Wgt Check Digit/5-D Wgt)

***NOTE:** The default label format use the NO.2 barcode format. The free label format you can select the barcode number in label editing software.

Vendor key configuration

• Vendor name edit

☞ **CODE** **1** ***** Call the "DATA ENTRY" menu



Enter preset code 47.

Enter the number of the desired vendor.

Enter the name of the vendor.

If necessary input the password of the vendor

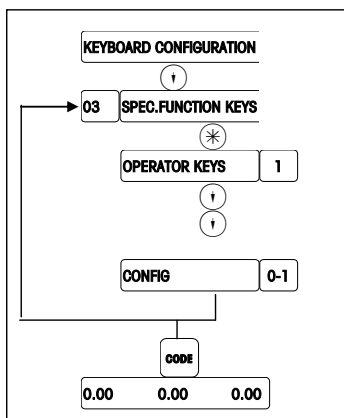
Confirm the password

Press **↓** to enter or modify another vendor's number.

Press the **CODE** key twice to return to the weighing mode.

• Vendor preset key permission

☞ **CODE** **3** ***** Call the "KEYBOARD CONFIGURATION" menu



Enter preset code 03.

Enter number of operator keys.(1~4)

0=Don't save the configuration.

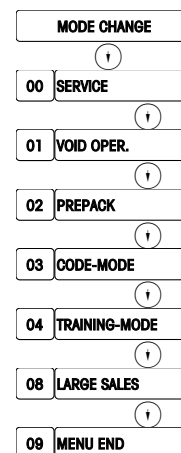
1=Save the configuration.

Press the **CODE** key to return to the weighing mode.

Sales mode

Mode switching

☞ **MODE** Call the menu "Mode switching"



With **↑** **↓** select the desired sub-menu, or enter the preset code.

Select/return to service mode.

Select/return to void operation mode.

Select/return to prepack mode.

Select/return to code mode.

Select/return to training mode.

Select/return to large sales mode.

Press **↓** to continue or ***** to return to weighing mode.

With **↑** **↓** or the preset code, select the corresponding menu item, then activate it with the ***** key.

Service mode

-For all weighing functions, registering, data entry and sales reporting

Code mode

-Enter the code functions

Training mode

-Learning and practical exercises on the device, without the realized turnover being memorized.

-The display reads "TRAINING"

Void oper. mode

-VOID OPERATION AFTER CHECK OUT means the ticket or label has been printout, and these transactions will be deleted from the statistics data.

Prepack mode

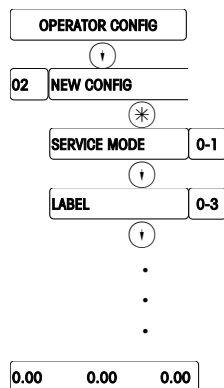
-For packing fieldwork of the supermarket. In this application, only print label, the small variety but large quantity print-work.

Large sales mode

-When the article is too big to weigh, operator can enter this mode by inputting the article weight and count price.

Choose the print paper(ticket or label)

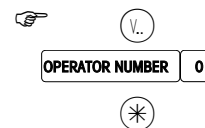
☞ CODE 4 * Call the "OPERATOR CONFIG" menu



Enter preset code 01.

Select the status of service mode or prepack mode when open the scale
 0=service mode; 1=prepack mode
 0=cust. ticket; 1=label; 2=label+total label, 3=total label
 Press the \uparrow key until return to the weighing mode.

Log in and log out an operator

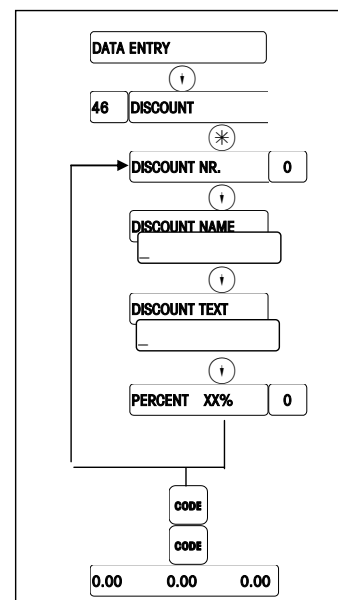


Press vendor key about 5 secs until display 'operator number'
 Then input operator number.
 Then confirm with ENTER key.

Discount key configuration

Discount rate edit

☞ CODE 1 * Call the "DATA ENTRY" menu



Enter preset code 60.

Enter increase/decrease number(1~9).

Enter increase/decrease name.

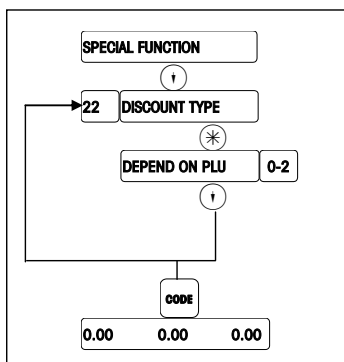
Enter increase/decrease text.

Enter increase/decrease rate.

Press the CODE key twice to return to the weighing mode.

Discount permission

Call the "SPECIAL FUNCTION" menu



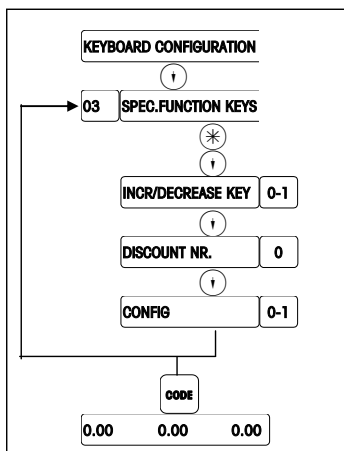
Enter preset code 01.

0=depend on PLU
1=all PLU enable, 2=all PLU disable

Press the key to return to the weighing mode.

• Log In Increase/decrease key

Call the "KEYBOARD CONFIGURATION" menu



Enter preset code 03.

0=Disable increase/refund
1=enable increase/refund

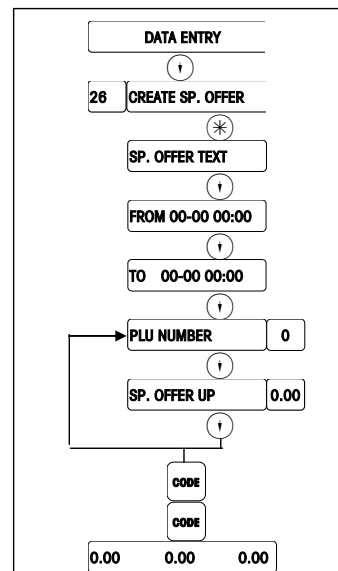
Enter increase/refund number
0=Don't save the configuration
1=Save the configuration

Press the key to return to the weighing mode.

Instruction for special offers

• Define a special offer

Call the "DATA ENTRY" menu



Enter preset code 26.

Enter the special offer text.

Enter the date the special offer starts.

Enter the date the special offer ends.

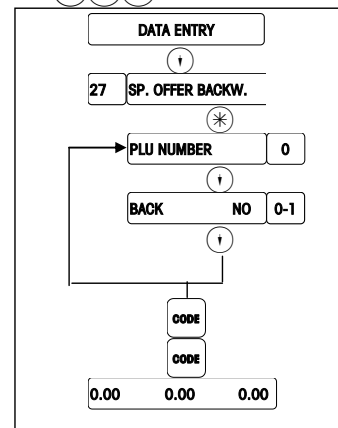
Enter the PLU number.

Enter the special offer of the article.
Press the key to create special offer price of another PLU.

Press the key twice to return to the weighing mode.

• Cancel a special offer

Call the "DATA ENTRY" menu



Enter preset code 27.

Enter the PLU number.

0=No prohibition
1=Prohibit SP. OFFER for this PLU

Press the key to prohibit special offer price of another PLU.

Press the key twice to return to the weighing mode.